

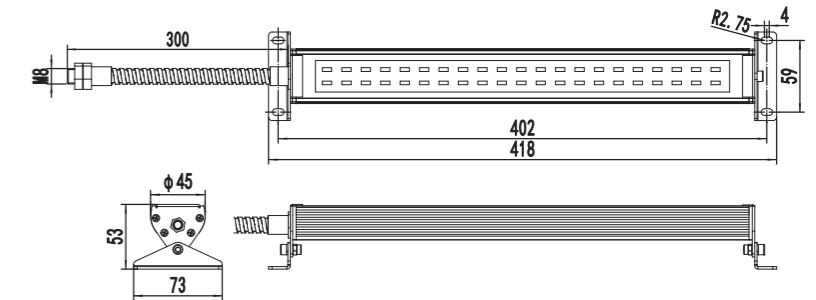
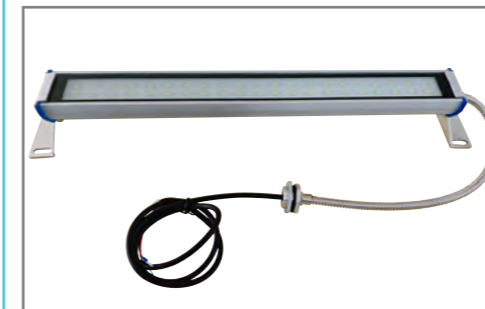
## TECHNICAL PARAMETERS AND FEATURES

Model	GZD-L210-40	GZD-L236KB	GZD-L236KB (New)	GZD-L402-59-KB (New)	GZD-L402-59-KB	GZD-L402-59-MS	GZD-21W-KB
Technical Parameters	Transparent glass	Transparent glass	Transparent glass	Transparent glass	Transparent glass	Transparent glass	Transparent glass
Color temperature	60Lm/W 6000~6500	60Lm/W 6000~6500	60Lm/W 6000~6500	60Lm/W 6000~6500	60Lm/W 6000~6500	60Lm/W 6000~6500	60Lm/W 6000~6500
Angle of illumination	138°	138°	138°	138°	138°	138°	138°
Operating voltage	DC24V±2V	DC24V±2V	DC24V±2V	DC24V±2V	DC24V±2V	DC24V±2V	AC/DC24V±2V
Rated power	6W	6W	6W	12W	12W	12W	21W
Service life	50000h	50000h	50000h	50000h	50000h	50000h	50000h
Ambient temperature	-30°C至+60°C	-30°C至+60°C	-30°C至+60°C	-30°C至+60°C	-30°C至+60°C	-30°C至+60°C	-30°C至+60°C
Installation	Fixed bracket	Adjustable bracket	Adjustable bracket	Adjustable bracket	Adjustable bracket	Fixed bracket	Adjustable bracket
Protection class	IP67	IP67	IP67	IP67	IP67	IP67	IP65
Note			Fully potted seal on both end caps	Fully potted seal on both end caps			
Product Features	★ Shell using aviation aluminum profile, beautiful and durable. ★ Superior structural design, excellent heat dissipation. ★ Convenient lighting, the lamp body can earth 45° rotation. ★ High-quality LED lamp chip, light division uniform, energy efficient. ★ With 304 stainless steel bellows, effectively protect the cable. ★ Waterproof and dustproof rating up to IP67.						
Scope of application	Widely used in CNC machine tools, combined machine tools, and other industrial equipment lighting						

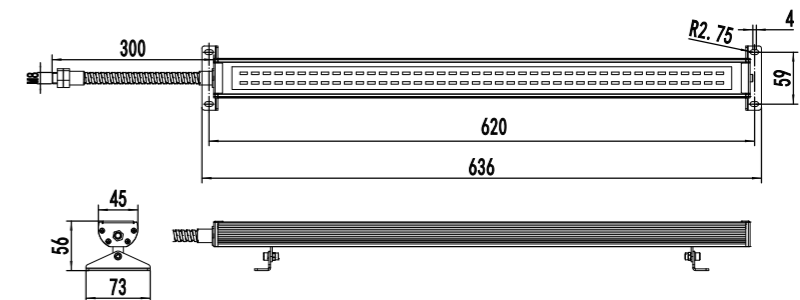
## PRECAUTIONS

- ◆ 1. The screw at the bellows outlet hole is M8, and the Sheet Metal Hole Drilling size is  $\phi 8.2$ mm.
- ◆ 2. This product should be installed and wired for commissioning by professional personnel.
- ◆ 3. Please use this product within the specified parameters, beyond the range of this product is easy to damage.
- ◆ 4. Avoid false and reverse connections when connecting cables.
- ◆ 5. Put it down carefully and gently, do not hit it with heavy objects.

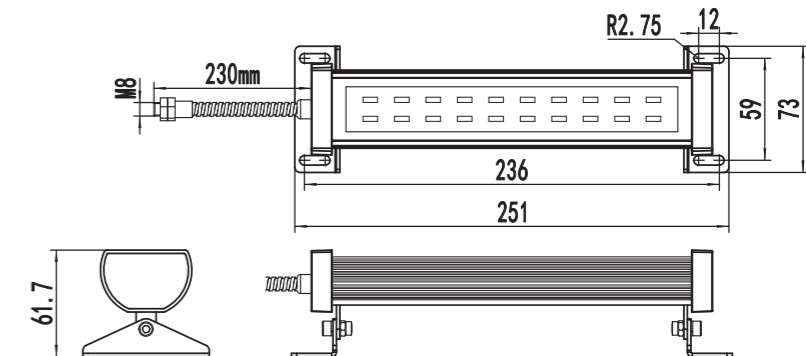
### GZD-L402-59-MS



### GZD-21W-KB



### GZD-L236KB (NEW)



### GZD-L402-59-KB (NEW)

