

PRODUCTS

Oil skimmer to separate non-water-soluble oil floating on the surface of the tank for the purpose of removing lubricants, cutting oil and other liquid oils. Mechanical equipment cooling system and lubrication system, in the process of processing operation, all kinds of liquid oil will enter the water tank, and participate in the cooling cycle, cutting cooling function received impact, while generating odor, negative impact on environmental protection and health. Therefore, the use of oil skimmer can be a purposeful solution to this type of problem, help enterprises to normal production.

PRODUCT ADVANTAGES

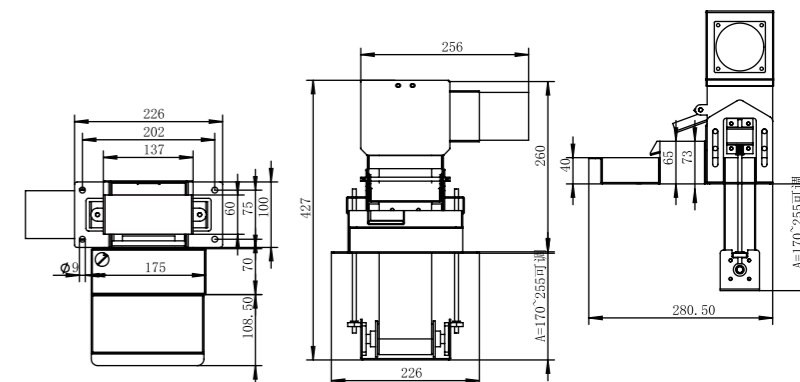
- ◆ 1.Simple structure, easy to maintain.
- ◆ 2.Using waterproof bearings, high reliability.
- ◆ 3.Using guide rail sliding bar with compression spring tensioning form, easy to disassemble and replace.
- ◆ 4.Scraper provides adjustable angle function, which is convenient for users.

TECHNICAL PARAMETERS

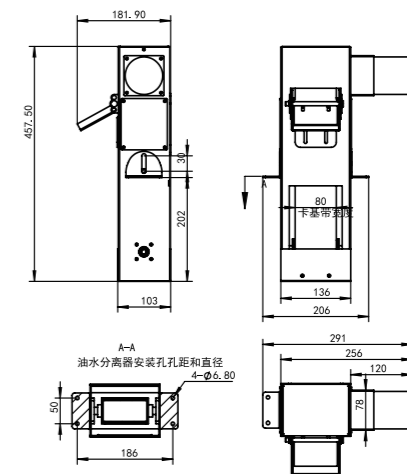
Model No.	YSF1-25150	YSF2-25150	YSF3-350
Power Supply	3-phase, 380V	3-phase, 380V	Single-phase, 50Hz, AC110V
Power (W)	25	25	6
Motor Speed (r/min)	1250	1250	1400
Gear Reduction Ratio	1: 150	1:150	1:120
Current (A)	0.4	0.4	0.3 (Capacitance 3μF)
Separation Efficiency and Flow Rate(Uh)	99%, 1.5	99%, 1.5	99%, 1.5
Synchronous Belt Material	PU	PU	PU
Dimensions(L×W×H, without oil box)	301*165*450	291*206*460	265*130*465
Color	Black/gray (customizable)		

OUTLINE AND MOUNTING DIMENSIONS

YSF1-25150 Size Description



YSF2-25150 Size Description



YSF3-350 Size Description

